

KBZ®

www.folangsiforklift.com

ELECTRIC PALLET TRUCK 电动托盘搬运车

KBZ® KBZ® KBZ® KBZ® KBZ® KBZ® KBZ® KBZ® KBZ® KBZ® KBZ® KBZ® KBZ®

CBD20-TS

高端品质 极致尊享

2000Kg

- ▶ High running speed—Driving speed is 10Km/h.
- ▶ EPS—Mute, energy saving, lighter.
- ▶ AC Dring System—Low noise, quite, without carbon brush and free maintenance.
- ▶ Electric Lifting—Rapid, efficient, electricity limit switch is STD.
- ▶ AC Controller—Stepless, strong power, multiple automatic protection.
- ▶ Excellent Design—Easily in out of the double tray.
- ▶ Intelligent Control—Curve automatically slow down, more safety.
- ▶ Safer—Surrounded by half a cockpit, Care for your safety.

- ▶ 高速快捷——行驶速度 10 公里 / 小时；
- ▶ 电子助力转向——静音、节能、更轻便；
- ▶ 交流驱动——低噪、静音、无碳刷、免维护；
- ▶ 电起升——快速、高效、标配起升限位装置；
- ▶ 交流控制器——无级调速、动力强劲、多重自动保护；
- ▶ 卓越设计——轻松进出双面托盘；
- ▶ 智能控制——弯道自动减速，更安全；
- ▶ 安全贴心——半包围驾驶室，更关心您的安全。



Electric Pallet Truck Expert

KBZ®

www.folangsiforklift.com

ELECTRIC PALLET TRUCK 电动托盘搬运车

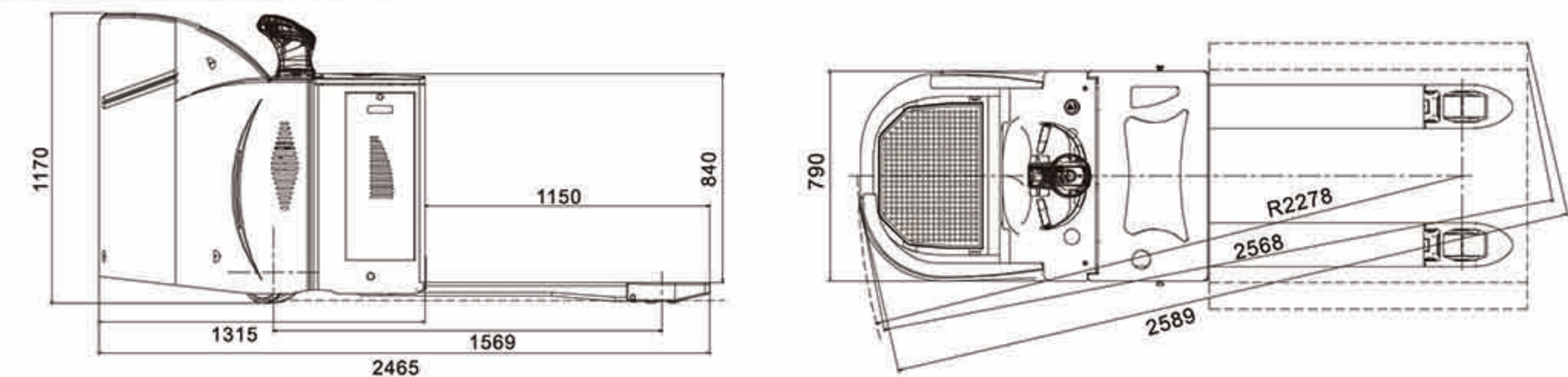
KBZ® KBZ® KBZ® KBZ® KBZ® KBZ® KBZ® KBZ® KBZ® KBZ® KBZ® KBZ®

SPECIFICATION

详细说明

		Unit	
Feature 特性	Model 型号		CBD20-TS
	Configuration No. 配置号		490
	Load capacity 额定载重	kg	2000
	Load center 载荷中心距	mm	600
	Wheel basenter 轴距	mm	1569
	Operating type 操作类型		Walkie/Stand On
Wheels 车轮	Wheels type 车轮类型(前/后)		PU
	Wheel quantity 驱动轮/平衡轮/承重轮数量		1/2/4
	Driving wheel size 驱动轮尺寸	mm	248 × 75
	Bearing wheel size 承重轮尺寸	mm	84 × 80(Double Pulley)
	Balance wheel size 平衡轮尺寸	mm	140 × 60
	Dimension 尺寸	Lowered fork height 货叉最低离地高度	mm
Max. lifting height 货叉最大起升高度		mm	205
Max. lifting Route 最大起升行程		mm	120
Outside width between forks 货叉外侧间隙		mm	550/600/685
Fork Length 货叉长度		mm	1150/1200
Fork width 货叉宽度		mm	165
Fork thickness 货叉厚度		mm	75
Overall length 整车全长		mm	2465
Overall width 车体宽度		mm	790
Overall height(with handle) 整车高度(含手柄)		mm	1170
Overall height(without handle) 整车高度(不含手柄)		mm	—
Min.Turning radius 最小转弯半径 踏板收起/放下		mm	2278
Min.Aisle width for pallets 800 × 1200 最小直角堆垛通道宽度		mm	2568
Min.Aisle width for pallets 1000 × 1200 最小直角堆垛通道宽度		mm	2589
Performance 性能	Travel speed,laden/unladen 最大行驶速度 满载/空载	km/h	10/10
	Lift speed,laden/unladen 最大起升速度 满载/空载	mm/s	20/25
	Travel speed,laden/unladen 最大下降速度 满载/空载	mm/s	40/30
	Gradeability,laden/unladen 爬坡度 满载/空载	%	15/10
Electrical configuration 电气配置	Drive motor 驱动电机	KW	AC3
	Lift motor 起升电机	KW	DC1.2
	Steering motor 转向电机	KW	DC0.15
	Battery voltage/capacity 蓄电池电压/容量	V/Ah	24/280(320 Optional)
	Brake 制动		Electromagnetic/Regenerative
Weight 重量	Controller 控制器型号		CURTIS 1234
	Battery weight 蓄电池重量	kg	288
	Service weight with battery 自重(包含蓄电池)	kg	968

DIMENSION DRAWING 外形尺寸图



FOLANGSI MACHINE CO., LTD.

Tel.:020-39993595 Fax:020-39993597

E-mail:admin@folangsiforklift.com

KBZ®