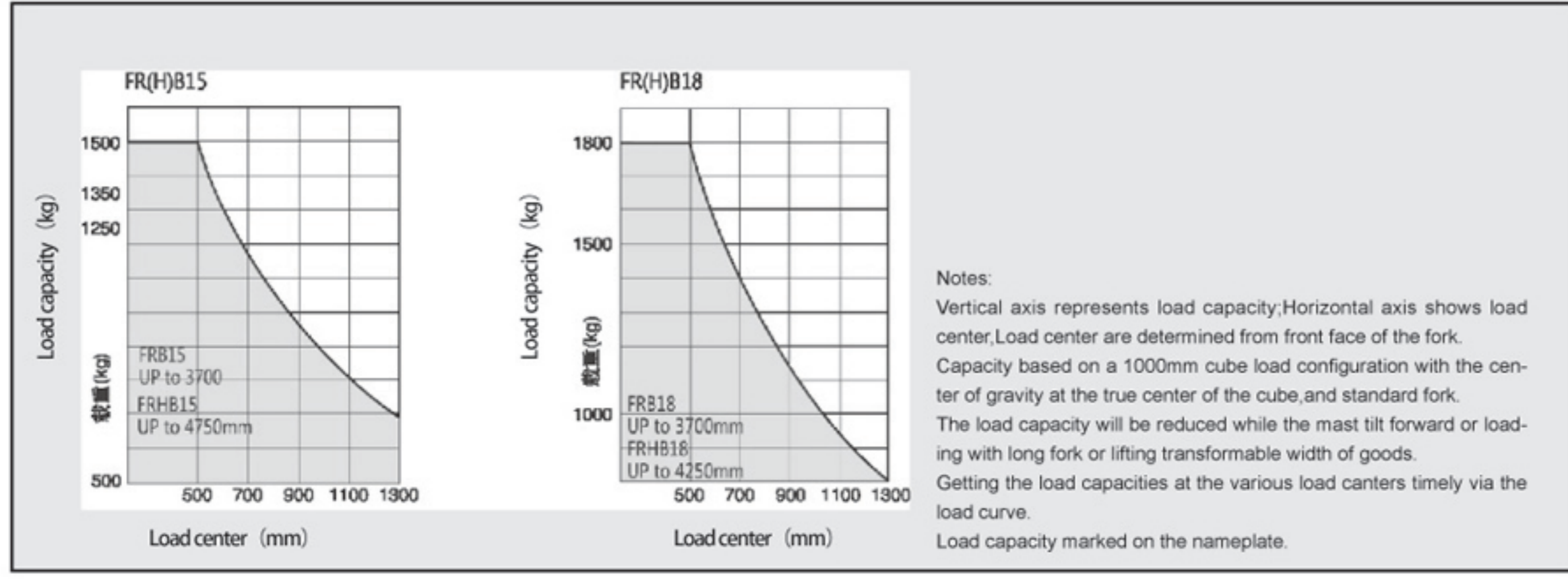


FRB Series 15-18

Electric Reach Forklift Truck

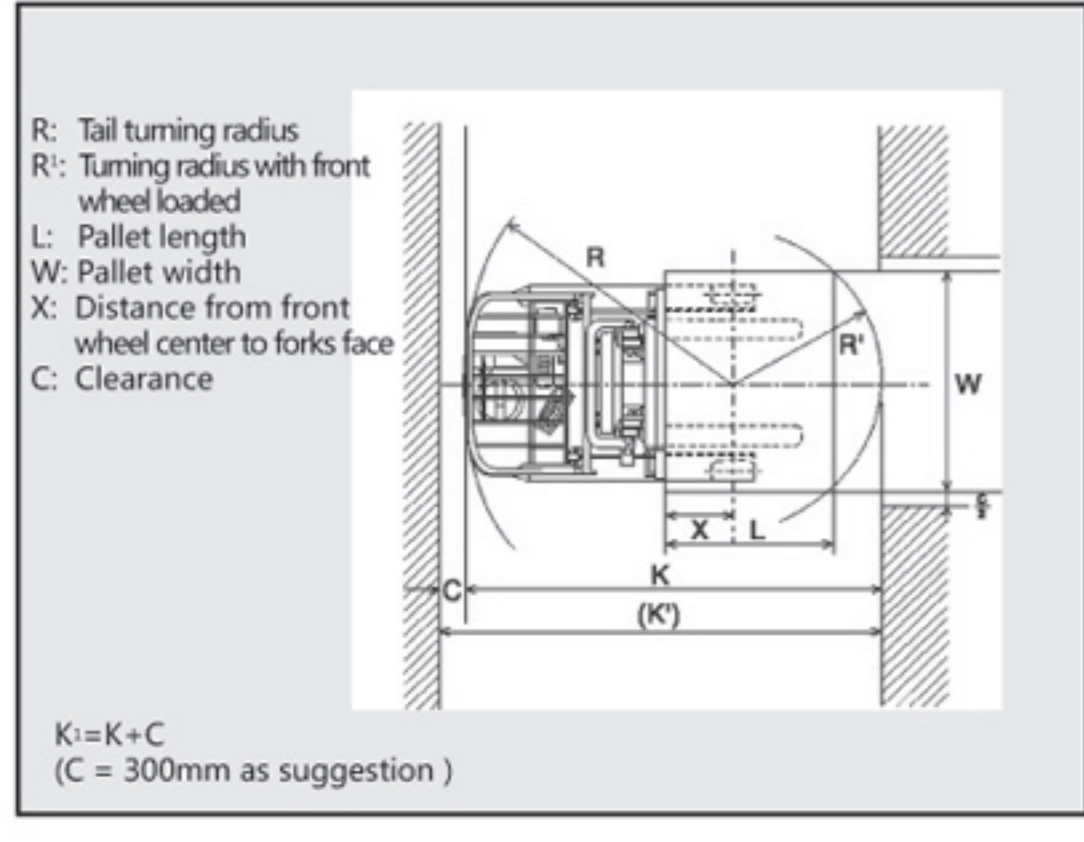


Notes:
Vertical axis represents load capacity. Horizontal axis shows load center. Load center are determined from front face of the fork. Capacity based on a 1000mm cube load configuration with the center of gravity at the true center of the cube and standard fork. The load capacity will be reduced while the mast tilt forward or loading with long fork or lifting transformable width of goods. Getting the load capacities at the various load centers timely via the load curve. Load capacity marked on the nameplate.

Right angle stacking aisle

Pallet size (W,L)	W	L	W	L	W	L	W	L	W	L	W	L	W	L	Unload
FRB15	2220	800	1100	800	1000	1000	1100	1000	1200	1000	1100	1100	2470	1100	2200
FRHB15	2320	800	1100	800	1000	1000	1100	1000	1200	1000	1100	1100	2470	1100	2260
FRB18	2330	800	1100	800	1000	1000	1100	1000	1200	1000	1100	1100	2470	1100	2270
FRHB18	2330	800	1100	800	1000	1000	1100	1000	1200	1000	1100	1100	2470	1100	2270

Right angle stacking aisle



- Standard equipments:**
- Wide view mast
 - Back rest, Axial carrier
 - 920mm fork
 - Electric power steering
 - Head guard
 - Tilt lever, Lifting lever, Reach lever
 - 3th valves with safety valve (lifting, tilt, reach)
 - Hydraulic Oil Gauge
 - load one-way valve
 - lifting oil way governor valve
 - disc brake
 - Drawer type battery case
 - pen holder
 - armrest
 - backrest
 - Emergency cut-off device
 - Undervoltage protection
 - Lifting speed control
 - Headlamp
 - Reversing buzzer
 - Electric horn
 - Neutral-safety switch
 - Steering indicator lamp
 - Liquid crystal display
 - Folder
 - Tools
 - side shifter with 4th valves/levers/pipings
- Options:**
- Mast & Attachments
- 3 stage free lift mast VFHM
 - Side shifter
 - Flat clamp
 - Paper roll clamp
- Others:**
- Rotating warning light
 - Rear work light

Notes:
KBZ products and specifications changes without prior notice.
KBZ forklift truck equips with standard safety device.
KBZ is not responsible for the damage occurred by removing its safety device.



Folangsi Machine Co., Ltd.

Tel: +86 020-3999 3595 Fax: +86 020-3999 3597
E-mail: admin@folangsiforklift.com
Address: No.13 Bangyan Road, Panyu District, Guangzhou, China

Distributor

Three Features



Wide vision
Comparing with counter balanced battery forklift, the mast view of reach truck is increased by 10%, which make operation easier.



Linkage system
Linkage mechanism with independent training wheel, make vehicle more stable, and adopted with copper alloy self lubricating bearing, maintenance free.

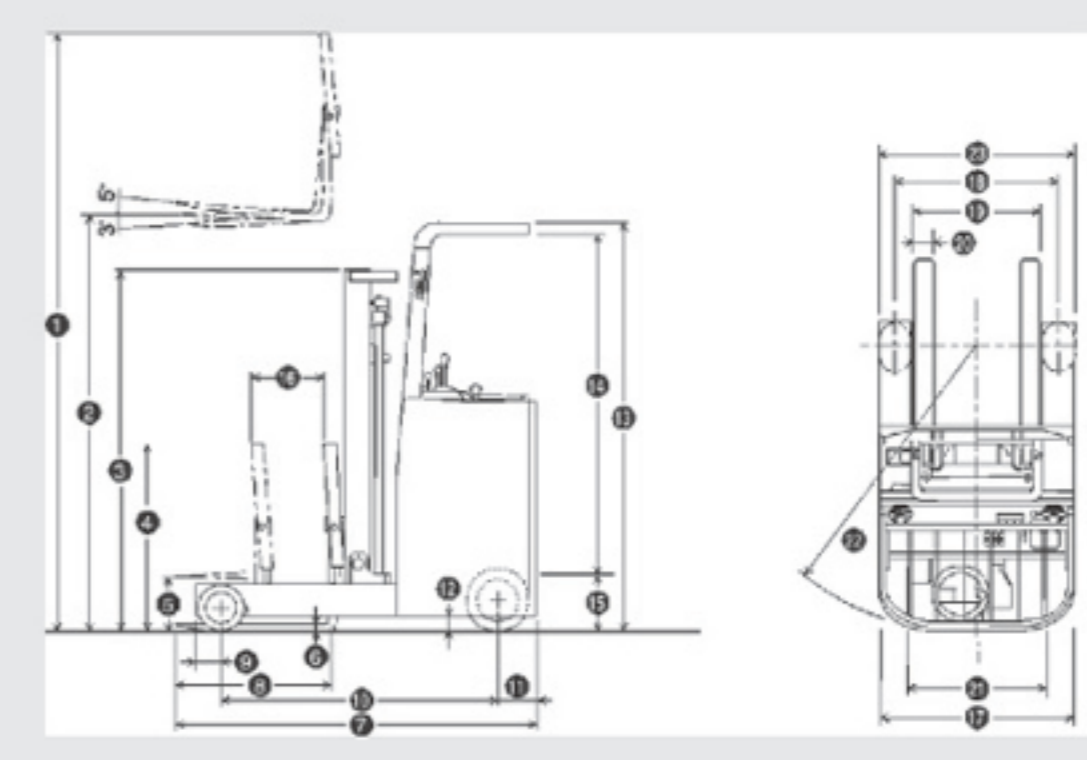
Convenient battery sliding device
Power-driven pull type battery, equipped with slide, convenient for examining and maintenance, durable and lighter.



Main Truck Specifications

Specifications	1		KBZ						
	Manufacturer		FRB15	FRHB15	FRB18	FRHB18			
2	Model								
3	Load capacity	kg	1500		1800				
4	Load center	mm	500						
5	Power unit		Battery						
6	Operator type		Stand type						
7	Tire type		Solid tire						
Dimension	8	Max. lifting height	mm	3000	4000	3000	4000		
	9	Free lift	mm	105		110			
	10	Fork size	L × W × T	920 × 100 × 35		920 × 100 × 38			
	11	Tilt angle	Mast forward/Backward	3°/5°					
	12	Total length(without fork)	mm	1710	1890	1895	1895		
	13	Total width	mm	1090					
	14	Mast height	mm	1995	2495	1995	2495		
	15	Overall height(fork raised)	mm	3925	4925	3925	4925		
	16	Height of head guard	mm	2260					
	17	Turning radius(outside)	mm	1580	1760				
Performance	18	Distance from front wheel center to forks face	mm	165		170			
	19	Right angle stacking aisle	mm	2470	2540	2550			
	20	Reach distance (mast)	mm	560		705			
	21	Max. travelling speed	full load	km/h		10.5			
		no load	km/h		11				
	22	Lifting speed	full load	mm/s		270			
		no load	mm/s		510				
	23	Lowering speed	full load	mm/s		450			
		no load	mm/s		550				
	24	Gradeability(full load)	%	10					
Weight	25	Truck weight(without battery)	kg	1735	1725	1825	1905		
	26	Weight distribution (with standard battery)	full load	front axle	kg	2350	2150	2465	2510
				rear axle	kg	1375	1565	1650	1685
			no load	front axle	kg	710	670	690	730
rear axle				kg	1515	1545	1625	1665	
Chassis & Wheels	27	Tires	number	front/rear	2/1X+2(X=driven)				
			size	front, load	mm	φ254 × 120			
				rear, drive	mm	φ330 × 145			
				rear, steering	mm	φ178 × 73			
28	Wheelbase	mm	1345	1525	1525	1525			
29	Tread	front/rear	mm				970/635		
30	Ground clearance	at lowest point	mm				75		
		mast	mm				75		
31	Brake	service brake					Mechanical		
		parking brake					Mechanical		
Drive line	32	Battery(standard)	voltage/capacity	V/AH		48v/280			
	33	Battery weight(standard)	kg	490					
	34	Electric motors	Drive motor	kw/60min	4.6				
			Hydraulic motor	kw/5min	8.2				
			Steering motor	kw/60min	0.3				
	35	Control type	Drive motor					AC converter	
Hydraulic motor							Dc chopper		
Steering motor							Dc chopper		
36	Operating pressure	kg/cm ²	140		160				

Standard dimension



Model	Items	Battery box size L×W×H	Capacity	Weight(with battery box)
FR(H)B15/FR(H)B18		375×956×570 (mm)	280AH/6H	490kg

Model	FRB15	FRB18	FRHB15	FRHB18
B Overall height fork raised(with backrest)	mm	3925	3925	4925
C Max. lifting height	mm	3000	3000	4000
D Overall height(fork lowering)	mm	1995	1995	2495
E Height of backrest	mm	900	900	900
F Free lift	mm	105	110	105
G Fork thickness	mm	35	38	35
H Length	mm	2070	2110	2105
I Fork length	mm	920	920	920
J Front overhang	mm	130	130	130
K Wheelbase	mm	1345	1525	1525
L Rear overhang	mm	200	200	200
M Ground clearance(truck body)	mm	75	75	75
N Height of head guard	mm	2260	2260	2260
O Height from head guard to pedal	mm	1910	1910	1910
P Height of pedal	mm	310	310	310
Q Reach distance(mast)	mm	560	705	705
R Width	mm	1090	1090	1090
S Tread (front)	mm	970	970	970
T Fork spread(outside)	mm	250-720	250-720	250-720
U Fork width	mm	100	100	100
V Tread (rear)	mm	635	635	635
W Turning radius(outside)	mm	1580	1760	1760
X Mast bracket width	mm	1080	1080	1080

Wide view mast VM

Mast model	Max. lift height	Mast height		Load capacity			
		fork lift	fork lowered	FRB15	FRB18	FRHB15	FRHB18
VM270	2700	3625	1845	1500	1800	-	-
VM300	3000	3925	1995	1500	1800	-	-
VM330	3300	4225	2145	1500	1800	-	-
VM350	3500	4425	2245	1500	1800	-	-
VM370	3700	4625	2345	1500	1800	-	-
VM400	4000	4925	2495	1400	1700	1500	1800
VM425	4250	5175	2670	1350	1650	1500	1800
VM450	4500	5425	2795	1350	1600	1500	1700
VM475	4750	5675	2920	1200	1500	1500	1600
VM500	5000	5925	3045	1200	1450	1300	1500

3 stage free lift mast VFHM

Mast model	Max. lift height	Mast height		Load capacity	
		fork lift	fork lowered	FRHB15	FRHB18
VFHM400	4000	4925	1670	1500	1600
VFHM435	4350	5275	1995	1500	1700
VFHM480	4800	5725	2145	1400	1600
VFHM500	5000	5925	2245	1400	1500
VFHM550	5500	6425	2410	1200	1300
VFHM600	6000	6925	2595	650	700